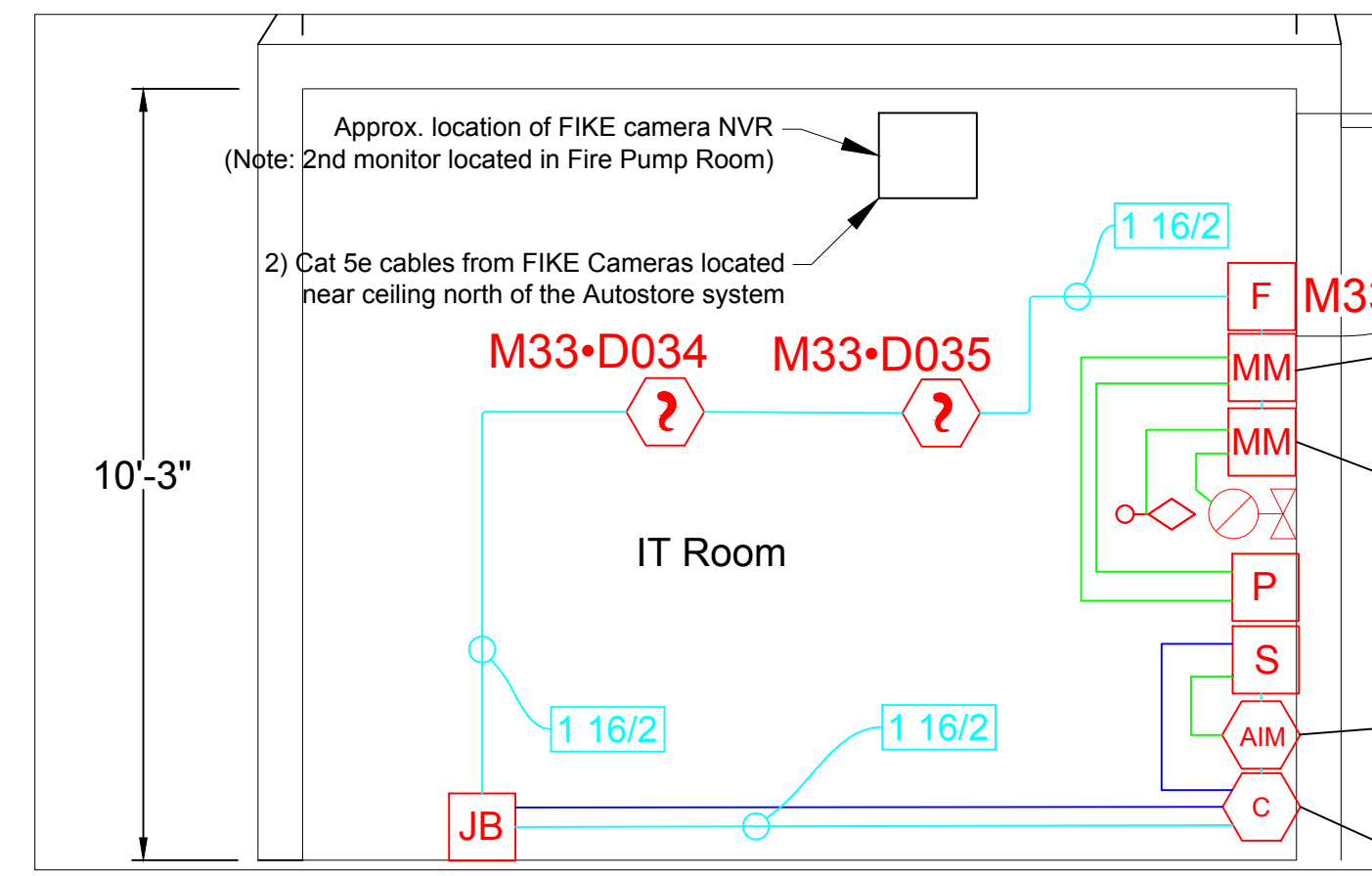


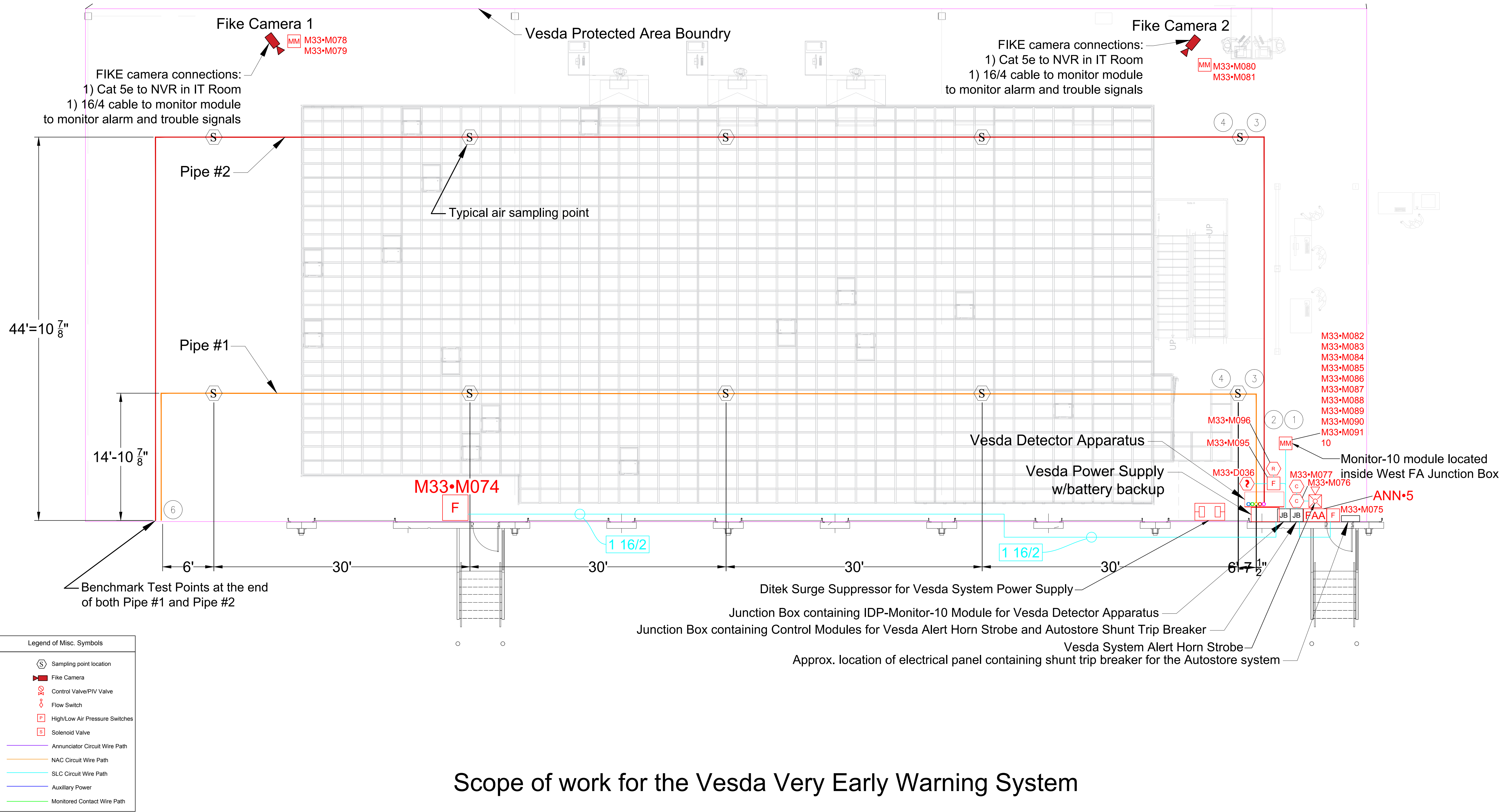
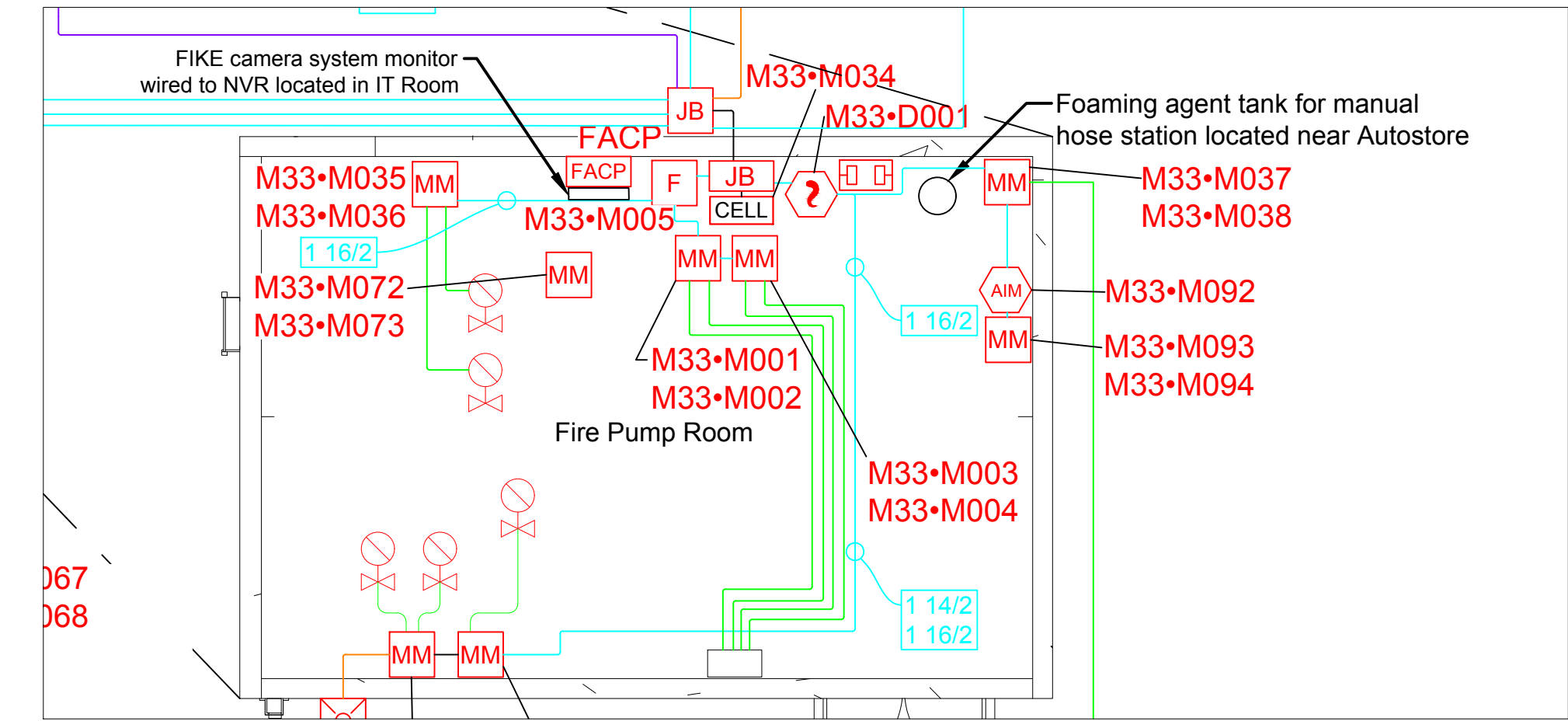
Excerpt of Points List showing additional work in blue

Points List			
001 Panel Smoke	031 Smoke HVU-2	201 Pump Run	233 OS&Y South East Riser 11
002 Smoke RTU-7S	032 Smoke HVU-3	202 Pump AC Loss	234 Cellular Supervision
003 Smoke RTU-7R	033 Smoke HVU-4	203 Pump AC Phase Reverse	235 Pump Room Rear Left OS&Y
004 Smoke RTU-6S	034 Smoke N. IT Room	204 Pump Controller Alarm	236 Pump Room Center Left OS&Y
005 Smoke RTU-6R	035 Smoke S. IT Room	205 Panel Pull Station	237 Street OS&Y 1
006 Smoke RTU-5S	036 Smoke Vesda Panel	206 Waterflow South West Riser 10	238 Street OS&Y 2
007 Smoke RTU-5R		207 OS&Y South West Riser 10	239 Pump Room Front Left OS&Y
008 Smoke RTU-4S		208 Waterflow South West Riser 6	240 Spare - Pump Room
009 Smoke RTU-4R		209 OS&Y South West Riser 6	241 Pump Room OS&Y Lower Right
010 Smoke RTU-3S		210 Waterflow South West Riser 9	242 Pump Room OS&Y Upper Right
011 Smoke RTU-3R		211 OS&Y South West Riser 9	243 RTU-3 Relay
012 Smoke RTU-2S		212 RTU-7 Relay	244 RTU-2 Relay
013 Smoke RTU-2R		213 RTU-6 Relay	245 RTU-1 Relay
014 Smoke RTU-1S		214 Waterflow North West Riser 2	246 NAC West Trouble
015 Smoke RTU-1R		215 OS&Y North West Riser 2	247 RTU-10 Relay
016 Smoke RTU-10S		216 Waterflow North West Riser 5	248 RTU-9 Relay
017 Smoke RTU-10R		217 OS&Y North West Riser 5	249 RTU-8 Relay
018 Smoke RTU-9S		218 Waterflow North West Riser 1	250 Foyer Pull Station
019 Smoke RTU-9R		219 OS&Y North West Riser 1	251 NAC East Trouble
020 Smoke RTU-8S		220 Waterflow North East Riser 3	252 NAC Middle Trouble
021 Smoke RTU-8R		221 OS&Y North East Riser 3	253 RTU-11 Relay
022 Smoke Foyer		222 Waterflow North East Riser 8	254 RTU-12 Relay
023 Smoke RTU-11S		223 OS&Y North East Riser 8	255 Control Module 1
024 Smoke RTU-11R		224 Waterflow North East Riser 4	256 Control Module 2
025 Smoke RTU-12S		225 OS&Y North East Riser 4	257 Control Module 3
026 Smoke RTU-12R		226 RTU-5 Relay	258 Control Module 4
027 Smoke NAC East		227 RTU-4 Relay	259 Control Module 5
028 Smoke NAC Middle		228 Waterflow South East Riser 12	260 Control Module 6
029 Smoke NAC West		229 OS&Y South East Riser 12	261 HVU-1 Relay
030 Smoke HVU-1		230 Waterflow South East Riser 7	262 HVU-2 Relay
		231 OS&Y South East Riser 7	263 HVU-3 Relay
		232 Waterflow South East Riser 11	264 HVU-4 Relay
			265 IT Solenoid Control Module
			266 IT Solenoid Power Supv.
			267 IT High Air Pressure
			268 IT Low Air Pressure
			269 IT Waterflow
			270 IT Valve Supervision
			271 IT Room Pull Station
			272 Manual Hose Backflow Left
			273 Manual Hose Backflow Right
			274 West Autostore Pull Station
			275 East Autostore Pull Station
			276 Control Module Vesda Alert Horn Strobe
			277 Control Module Vesda Shunt Trip
			278 Fike Camera 1 Trouble
			279 Fike Camera 1 Alarm
			280 Fike Camera 2 Trouble
			281 Fike Camera 2 Alarm
			282 Vesda Alert
			283 Vesda Action
			284 Vesda Fire 1
			285 Vesda Fire 2
			286 Vesda Power Supply Trouble
			287 Vesda Minor Fault
			288 Vesda Urgent Fault
			289 Vesda Outputs Disabled
			290 Vesda Spare 1
			291 Vesda Spare 2
			292 Manual Hose Bottom Tamper
			293 Manual Hose Top Tamper
			294 Manual Hose Waterflow
			295 Vesda Panel Manual Release Station
			296 Vesda Robot Recall Relay

Excerpt of IT Room showing additional work



Excerpt of Fire Pump Room showing additional work



TITLE: FIRE ALARM SYSTEM PLAN

SYSTEMS SPECIALISTS ONI
 432 US Hwy 72 Suite 3, Collierville, TN 38017
 (901)854-0510
 TN-C1472/QA-0358

This Fire Alarm System shall be installed in compliance with: NFPA72, 2013 ed, and all wiring shall comply with NFPA70, Article 760.

LAST REVISION: 2/18/2021
 BY: RGG
 CHECKED BY: PEH

Scope of work for the Vesda Very Early Warning System